



Operating Manual

iSOLATE501

Document number 413569(10). Refer to Extronics DDM for release status.

This document is not to be modified without prior reference to an authorised person.

© Copyright Extronics Ltd, 2022

Contents

1	Introduction	4
2	Safety Information and Notes	5
2.1	Storage of this Manual	5
2.2	Special Conditions for Safe Use	5
2.3	Electrical Rating (MET)	6
2.4	Approval Information (MET)	6
2.5	List of Notes.....	6
3	Installation and Setting-to-Work	8
3.1	Input / Output parameters	8
3.2	iSOLATE501 Mounting and Earthing	9
3.3	RF Connections	11
3.4	Connection to a transmitter	11
3.5	Connection to an antenna	12
4	Intended Purpose Usage.....	14
4.1	Transportation and Storage	14
4.2	Authorized Persons	14
4.3	Cleaning and Maintenance	15
4.4	Safety Precautions.....	15
4.5	Cleaning and Maintenance Intervals	15
4.6	Aggressive substances and environments	15
4.7	Exposure to external stresses.....	16
5	Technical Data	17
6	Label Drawing	18
7	EU Manufacturers Declaration	19

1 Introduction

The iSOLATE501 is an ATEX / IECEx / MET approved RF galvanic isolator.

The iSOLATE501 galvanically isolates circuits in the hazardous area from potentially incendive faults using the intrinsic safety concept. When the iSOLATE501 is connected to source equipment with $U_m \leq 253V$, it blocks DC, low-frequency AC and transient faults from appearing at the output terminal. The iSOLATE501 will allow RF signals at frequencies within its wide pass-band (120MHz - 8GHz) to pass through to its output; these RF signals are incapable of causing ignition if their power level is within that specified in IEC60079-0:2017 Table 4.

The galvanically isolated RF output of the iSOLATE501 allows users to use non-hazardous area certified antennas* with their wireless hardware, such as the Extronics iANT200 range of high quality rugged outdoor antennas.

* Antennas not listed in the Extronics range must be assessed by the user to ensure that they meet the mechanical requirements for the installation of equipment in hazardous areas, do not contain active elements, etc.

2 Safety Information and Notes

2.1 Storage of this Manual

Keep this user manual safe and in the vicinity of the device. All persons who have to work on or with the device should be advised on where the manual is stored.

2.2 Special Conditions for Safe Use

2.2.1 ATEX/IECEX

2.2.1.1 The RF power input to the device must be limited to defined power levels dependent on the Equipment/Gas Group:

Maximum safe input power, defined as in normal operation without user-settable software limits, and must include antenna gain consideration.	Group I	6.0W (37.7 dBm)
	Group IIC	2.0W (33 dBm)
	Group IIB	3.5W (35.4 dBm)
	Group IIA	6.0W (37.7 dBm)
	Group III	6.0W (37.7 dBm)

2.2.1.2 The product must be mounted such that it is earthed before use in accordance with clause 15 in IEC 60079-0:2018.

2.2.1.3 The product shall be mounted in an IECEX / ATEX approved Ex 'n' or Ex 'e' enclosure with minimum IP54 rating while situated in hazardous gas atmospheres.

2.2.1.4 The product must be mounted in an IECEX / ATEX approved Ex 'n' or Ex 'e' enclosure with minimum IP54 rating while situated in hazardous dust atmospheres.

2.2.1.5 Live connections or disconnections in the hazardous area are limited to a passive antenna type only. Antenna output is galvanically isolated, so intrinsically safe parameters are not relevant.

2.2.1.6 The product must only be situated in the safe area when providing 'ia' output into mining 'M1' area.

2.2.2 MET

2.2.2.1 The product shall always be mounted within an approved minimum NEMA 4 enclosure complying with ANSI/UL 50E as a condition of safe use.

2.3 Electrical Rating (MET)

Um=253Va.c

Class I, Division 2, Class III, Divisions 1 and 2, Groups A to G, T4

Class I, II, III, Division 1. Groups A to G (Associated IS Equipment)

Class I, Zone 0, Group IIC, T4 (Associated IS Equipment)

Ta = 60°C to 80°C

2.4 Approval Information (MET)

The iSOATE501 product are approved to the following standards:

ANSI/ISA 12.12.01,

UL913,

UL60950-1 / CSA C22.2 No. 60950-1,

CAN/CSA-C22.2 No. 60079-0:11,

CAN/CSA-C22.2 No. 60079-11:11

2.5 List of Notes

The notes supplied in this chapter provide information on the following.

- Danger / Warning.
 - Possible hazard to life or health.
- Caution
 - Possible damage to property.
- Important

- Possible damage to enclosure, device or associated equipment.
- Information
 - Notes on the optimum use of the device

Warning! Group I applications. The iSOLATE501 must only be installed in the safe area. This may be provided by a suitably rated hazardous area enclosure.

Warning! Group II applications. The iSOLATE501 shall be mounted in a suitably approved hazardous area enclosure with minimum IP54 rating.

Warning! For MET the product shall always be mounted within an approved minimum NEMA 4 enclosure complying with ANSI/UL 50E as a condition of safe use.

Warning! The RF threshold power must be limited to the levels defined in IEC60079-0:2017 Table 4; the iSOLATE501 does not provide any in-band RF power limitation. See section 3.4.1 for details.

Warning! To maintain safe operation, the iSOLATE501 MUST be earthed. Refer to Section 3.2 for details.

Warning! The antennas connected to the iSOLATE501 must be installed in accordance with the earthing requirements of IEC60079-14:2014 clause 16.2.3.

Warning! The iSOLATE501 does not contain any user-serviceable parts. Any attempt to open the unit may render it unsafe and will void the warranty.

3 Installation and Setting-to-Work

3.1 Input / Output parameters

The iSOLATE501 has the following input/output parameters:

$$U_m=253V_{rms}$$

RF threshold Output Power (expressed in dBi) = Effective RF Transmitter Power Input into the iSOLATE501, less insertion loss of the iSOLATE501 plus the antenna gain.

The maximum permitted RF Threshold Output Power is dependent upon the Equipment Group in which the antenna is located, as defined in the following table. See section 3.4 for further details.

ATEX/IECEX Equipment Group	Maximum RF Threshold Power (Watts)	Maximum RF Threshold Power (dBm)
Mining Group I	6	37.7
Gas Group IIA	6	37.7
Gas Group IIB	3.5	35.4
Gas Group IIC	2	33
Dust Group III	6	37.7

Table 1: Maximum permitted RF Threshold Power

3.2 iISOLATE501 Mounting and Earthing

Warning! To maintain safe operation the iISOLATE501 **MUST** be earthed - see Figure 1.

WARNING - Depending on the material of fastener being used please ensure you do not over tighten as it could cause significant damage to the aluminium threads as a result.

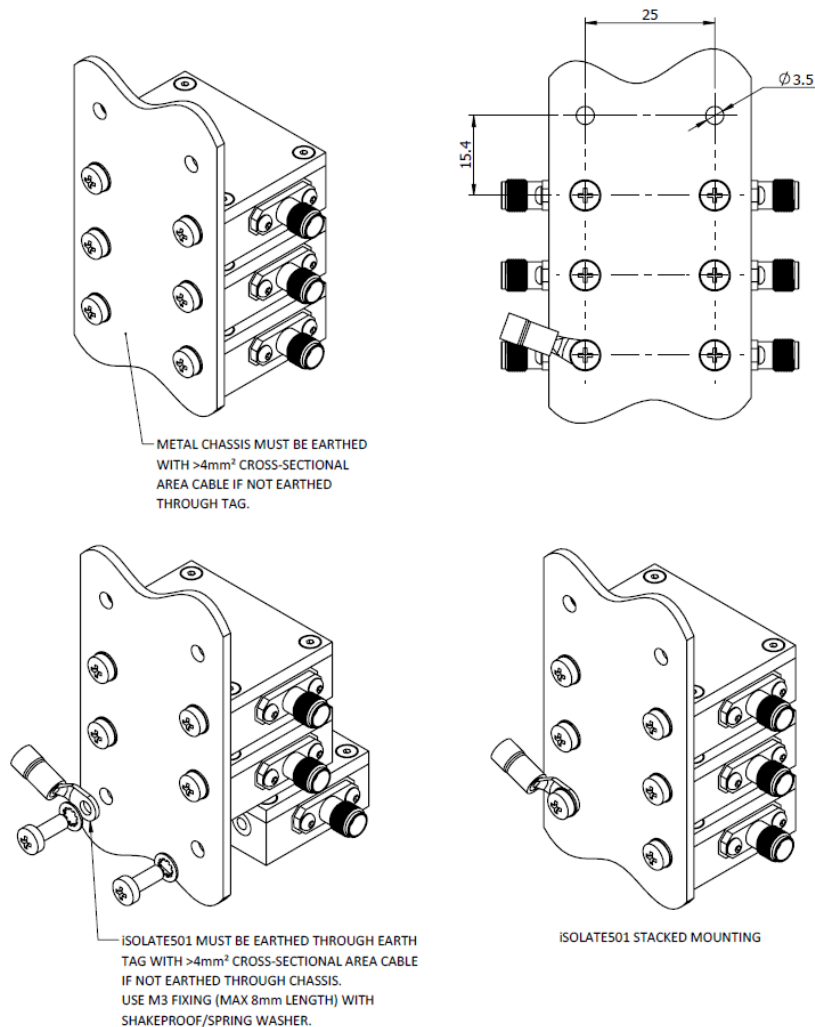


Figure 1: Earthing and Mounting of iISOLATE501

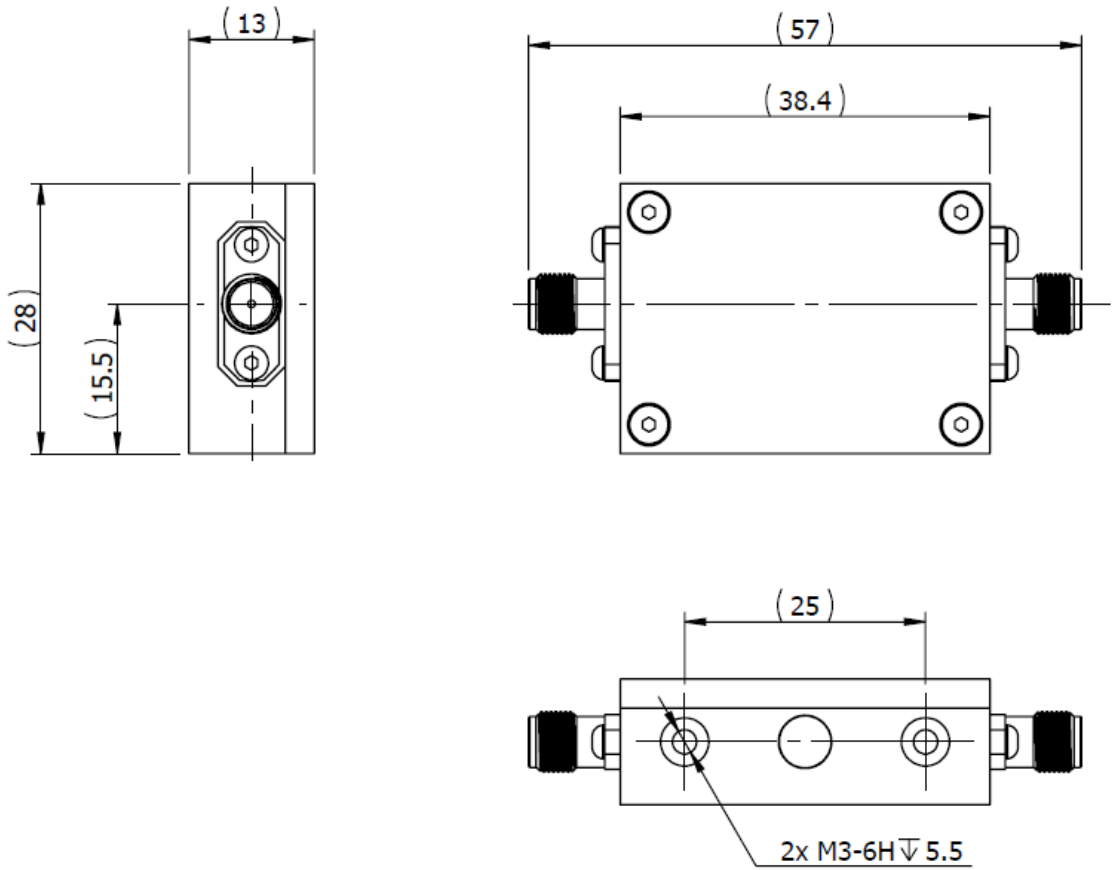


Figure 2: iSOLATE501 Dimensions

3.3 RF Connections

The iSOLATE501 is fitted with two SMA female connectors, one at each end. The iSOLATE501 is a totally bi-directional device, and therefore either connector can function as the input or output. The use of standard RF connectors is permitted when the iSOLATE501 is installed in an Ex'e' or Ex'n' enclosure.

3.4 Connection to a transmitter

The iSOLATE501 may be connected to any radio transmitter operating within its pass-band. It is the responsibility of the installer to ensure that the following requirements are met:

1. The RF threshold power radiated from the antenna must be limited to the levels shown in Table 1. The calculation of this should take into account the power output of the transmitter (as specified by the manufacturer in normal operation) and the gain of the antenna. It is permissible to consider losses in the cable in this calculation.
2. It is permissible for the maximum power output of the transmitter to be limited by a software setting, but it must not be possible for the end-user to override this.
3. Consideration of fault conditions in the transmitter is not necessary when calculating RF threshold power. The transmitter's maximum RF output power should be taken from the transmitter manufacturer's datasheet in normal operation, i.e. the maximum value of RF output power than can be set by the user.

3.4.1 Example of RF threshold power calculation

The following example shows how the RF threshold power may be calculated:

Maximum transmitter output power (from transmitter datasheet) = 20dBm (100mW)

Coaxial cable loss = 2dB

Antenna gain = 5dBi

Threshold power = 20dBm – 2dB + 5dBi

Threshold power = 23dBm (200mW)

3.5 Connection to an antenna

Warning! The antennas connected to the iSOLATE501 must be installed in accordance with the earthing requirements of IEC60079-14:2014 clause 16.2.3.

3.5.1 Example 1

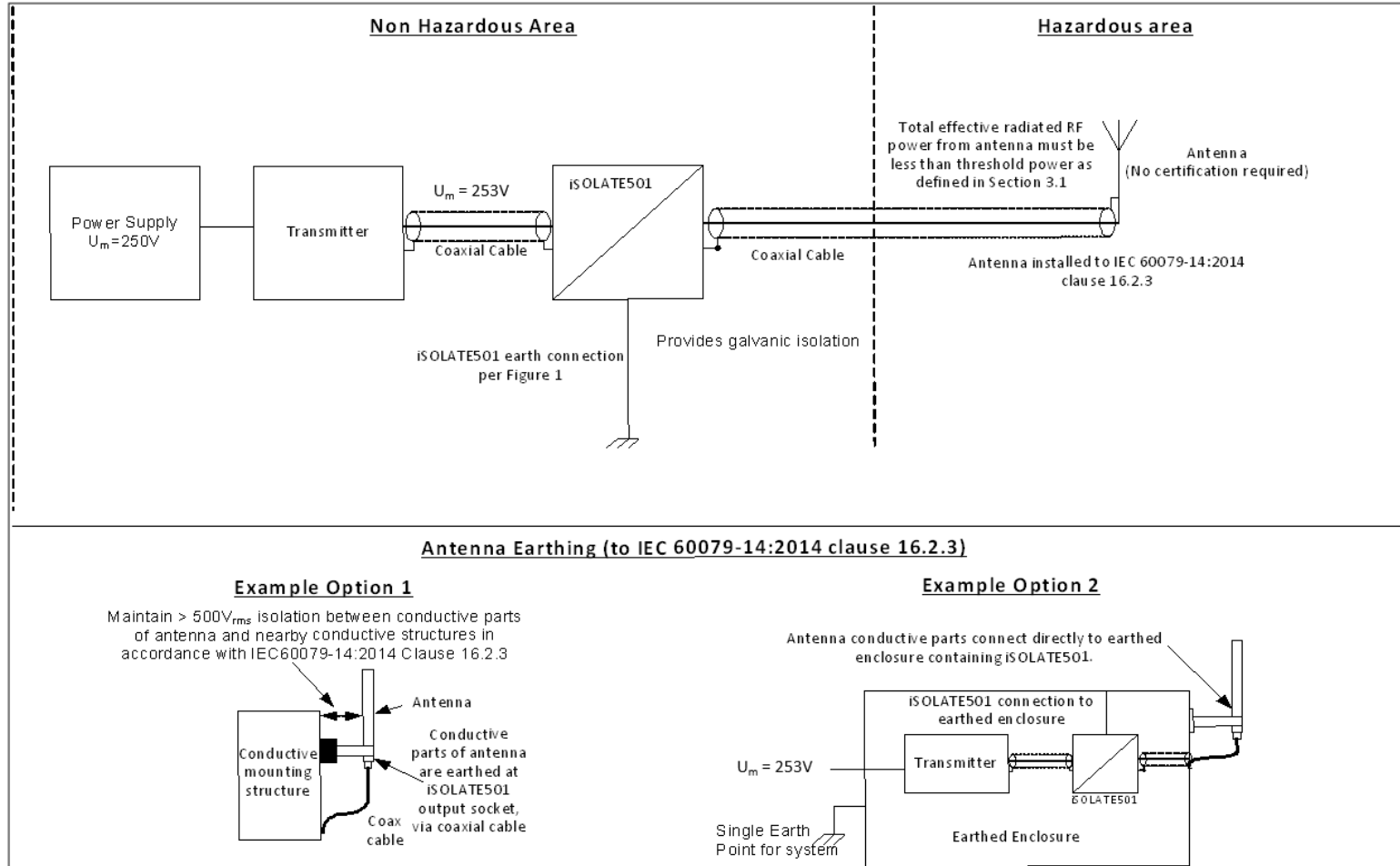
The conductive parts of the antenna must be isolated by at least 500Vrms from nearby conductive structures, to prevent hazardous earth currents from flowing in the coaxial cable. It is the responsibility of the installer to perform the necessary tests to verify this.

Note: As the iSOLATE501 must be earthed, the return path of the RF output connector will also be at earth potential. Therefore the verification of isolation of the antenna from earth must only be carried out when the antenna and iSOLATE501 are not connected.

3.5.2 Example 2

When the iSOLATE501 is installed inside an earthed enclosure, which has a single connection to earth, and the antennas are mounted to this enclosure, the antennas do not require 500V isolation from earth (as it may be earthed through the enclosure to the single earth point along with the iSOLATE501)

For more guidance consult IEC60079-14:2014 clause 16.2.3



4 Intended Purpose Usage

Important Before setting the units to work, read the technical documentation carefully.

Important The latest version of the technical documentation or the corresponding technical supplements is valid in each case.

The iSOLATE501 is built using modern components and is extremely reliable in operation; however it must only be used for its intended purpose. Please note that the intended purpose also includes compliance with the instructions issued by the manufacturer for installation, setting up and service.

Any other use is regarded as conflicting with the intended purpose. The manufacturer is not liable for any subsequent damage resulting from such inadmissible use. The user bears the sole risk in such cases.

4.1 Transportation and Storage

All iSOLATE501 devices must be so transported and stored that they are not subjected to any excessive mechanical stresses.

4.2 Authorized Persons

Only persons trained for the purpose are authorized to handle the iSOLATE501; they must be familiar with the unit and must be aware of the

regulation and provisions required for explosion protection as well as the relevant accident prevention regulations.

4.3 Cleaning and Maintenance

The iSOLATE501 and all its components require no maintenance. All work on the iSOLATE501 by personnel who are not expressly qualified for such activities will cause the Ex approval and the guarantee to become void.

4.4 Safety Precautions

Important	For the installation, maintenance and cleaning of the units, it is absolutely necessary to observe the applicable regulations and provisions concerned with explosion protection (IEC 60079-14), as well as the Accident Prevention Regulations.
------------------	---

4.5 Cleaning and Maintenance Intervals

The cleaning intervals depend on the environment where the system is installed.

4.6 Aggressive substances and environments


The iSOLATE501 is not designed to come into contact with aggressive substances or environments, please be aware that additional protection may be required.

4.7 Exposure to external stresses

The iSOLATE501 is not designed to be subjected to excessive stresses e.g. vibration, heat, impact. Additional protection is required to protect against these external stresses.

The iSOLATE501 will require additional protection if it is installed in a location where it may be subjected to damage.

5 Technical Data

Certification Type	Ex nA [Ex ia Ga] IIC T6 Gc Ex ic [Ex ia Da] IIIC T85°C Dc [Ex ia Ma] I II 3 (1) G D I (M1)  Class I & II Division 2, Class III Divisions 1 & 2 Groups A - G Class I, Zone 0, Group IIC		
Maximum Input / Output Power	ATEX/IECEX Equipment Group	Maximum RF Threshold Power (Watts)	Maximum RF Threshold Power (dBm)
	Mining Group I	6	37.7
	Gas Group IIA	6	37.7
	Gas Group IIB	3.5	35.4
	Gas Group IIC	2	33
	Dust Group III	6	37.7
Enclosure Material	Aluminium		
Environmental	Ambient temperature: -40°C to +80°C Relative humidity; 0 to 95%, non-condensing		
Dimensions (w x h x d) Weight	38.4 x 28 x 13 mm (57 mm including SMA connectors) Approx. 37g		
RF Connections	SMA Female		
Certification	TRAC15ATEX0050X, IECEx TRC 15.0015X, MET NRTL88100		
¹ Please note that it is the customer's responsibility to ensure the maximum values for RF Threshold power as per Table 4.0 of IEC 60079-0:2017 are not exceeded. The maximum RF output of the wireless transmitter and antenna gain must be considered when installing equipment. Refer to manual for full details.			

6 Label Drawing

ATEX/IECEX Label:

 **EXTRONICS iSOLATE501**
CW10 OHU, UK, 20XX

IECEX TRC 15.0015X



Ex nA [Ex ia Ga] IIC T6 Gc

Ex ic [Ex ia Da] IIIC T85°C Dc

[Ex ia Ma] I

TRAC15ATEX0050X



 II 3 (1) GD  I (M1) RoHs

$-40^{\circ}\text{C} \leq T_a \leq +80^{\circ}\text{C}$ S/N: XXX

Um=253V

See manual for safety instructions

Where XXXX = Notified Body Number

MET Label:

 **EXTRONICS iSOLATE501**
CW10 OHU, UK, 20XX

Hazardous location suitability:

Class I & II Division 2, Class III

Divisions 1 & 2 Groups A - G

Associated IS equipment:

Class I, II, III Division 1, Groups A-G

Class I, Zone 0, Group IIC

Temperature Code: T4, Ta= -60°C to +80°C

Listing No. E113811 Um=253Va.c

S/N: XXX



WARNING-DO NOT CONNECT OR DISCONNECT WHEN ENERGISED

Attention - Ne pas brancher ou débrancher sous tension

See manual for safety instructions

7 EU Manufacturers Declaration



EU Declaration of Conformity

Extronics Ltd, 1 Dalton Way, Midpoint 18, Middlewich, Cheshire CW10 0HU, UK

Equipment Type: **iSOLATE501 RF Galvanic Isolator**

This declaration is issued under the sole responsibility of the manufacturer

Directive 2014/34/EU Equipment and protective systems intended for use in potentially explosive atmospheres (ATEX)

Provisions of the directive fulfilled by the equipment:

Ex nA [Ex ia Ga] IIC T6 Gc
 Ex ic [Ex ia Da] IIIC T85°C Dc
 [Ex ia Ma] I
 Ex II 3 (1) G D
 Ex I (M1)

Notified Body **Element Rotterdam BV 2812** performed EU-Type Examination and issued the EU-Type Examination certificate.

EU-Type Examination Certificate: **TRAC15ATEX0050X Issue 6**

Notified Body for Production: **Ex Veritas, 2804**

The object of the declaration described above is in conformity with the relevant Union harmonisation legislation.

Harmonised Standards used:

EN 60079-0:2018	Explosive atmospheres - Part 0: Equipment - General requirements
EN 60079-11:2012	Explosive atmospheres - Part 11: Equipment protection by intrinsic safety "i"
EN 60079-15:2010	Explosive atmospheres - Part 15: Equipment protection by type of protection "n"
EN 50303:2000	Group I, Category M1 equipment intended to remain functional in atmospheres endangered by firedamp and/or coal dust

Directive 2011/65/EU Restriction of the use of certain hazardous substances (RoHS) Compliant

Extronics Limited
 1 Dalton Way, Midpoint 18, Middlewich, Cheshire, UK. CW10 0HU
 Tel: +44 (0) 845 277 5000 Fax: +44 (0)845 277 4000 E-mail: info@extronics.com Web: www.extronics.com





Limitations on use

1. The RF power input to the device must be limited to defined power levels dependent on the Equipment/Gas Group:

Maximum safe input power, defined as in normal operation without user-settable software limits, and must include antenna gain consideration	Group I	6.0W (37.7dBm)
	Group IIC	2.0W (33dBm)
	Group IIB	3.5W (35.4dBm)
	Group IIA	6.0W (37.7dBm)
	Group III	6.0W (37.7dBm)

2. The product must be mounted such that it is earthed before use in accordance with clause 15 in IEC 60079-0:2011.
3. The product shall be mounted in an IECEx / ATEX approved Ex 'n' or Ex 'e' enclosure with minimum IP54 rating while situated in hazardous gas atmospheres.
4. The product must be mounted in an IECEx / ATEX approved Ex 'n' or Ex 'e' enclosure with minimum IP54 rating while situated in hazardous dust atmospheres.
5. Live connections or disconnections in the hazardous area are limited to a passive antenna type only. Antenna output is galvanically isolated, so intrinsically safe parameters are not relevant.
6. The product must only be situated in the safe area when providing 'ia' output into mining 'M1' area.

For and on behalf of Extronics Ltd, I declare that, on the date the equipment accompanied by this declaration is placed on the market, the equipment conforms with all technical and regulatory requirements of the above listed directives.

Signed:

Nick Saunders
 Operations Director
 Date: 30/11/2021

X120168(6)