

Deckhead Mounting Box



Deckhead mounting box

Accessory Kit

Product Overview

Product	Deckhead Mounting Box
Part No.	45681-217
Product	Accessory Kit
Part No.	45681-218

Product Information

The Deckhead Mounting Box is a device which protects detector bases, sounder bases and sounder beacon bases from the ingress of water or other liquids. It is screwed to the soffit and accepts a variety of Apollo bases.

The Deckhead Mounting Box is used on its own in most cases but there are applications where either an extension sleeve or an adaptor ring is required.

An extension sleeve is required when fitting heater or deep bases; an adaptor ring is needed for fitting sounder bases, beacon bases or sounder beacon bases. The extension sleeve and adaptor ring are sold as an accessory kit.

The Deckhead Mounting Box has six cable access ports for M20 glands and is secured to the mounting surface via two 5.4 mm holes in the webs.

Usage table

Product	Use to install	Part Nos.
Mounting box only	All Apollo bases except Isolating base 45681-321* and those listed below	
Mounting box and extension sleeve	XP95 Deep base XP95 Heater base Orbis Deep base Orbis Heater base	45681-209 45681-219 ORB-MB-00019-APO ORB-HB-00020-APO
Mounting box and adapter ring	Base sounders Beacon bases Sounder beacon bases	45681-265, 267, 268, 276, 277, 278, 290, 291, 300, 330, 331, 332, 333, 334, 335, 336, 337, 338, 340, 341, 393, 509, 510, 512 and 513

* cannot be fitted to the Deckhead Mounting Box

Notes on use

- Do not apply any sealing compound or use a gasket of any kind between the detector base and Deckhead Mounting Box. The only exception is a gasket supplied with certain Apollo products.
- Make sure that the mounting surface is flat and level.
- The Deckhead Mounting Box orientation should be such that the detector LED is facing the entrance to the protected area.

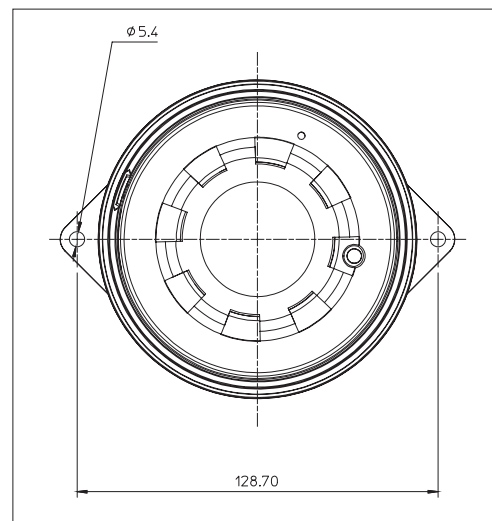


Figure 1: Fixing hole centres

Deckhead Mounting Box

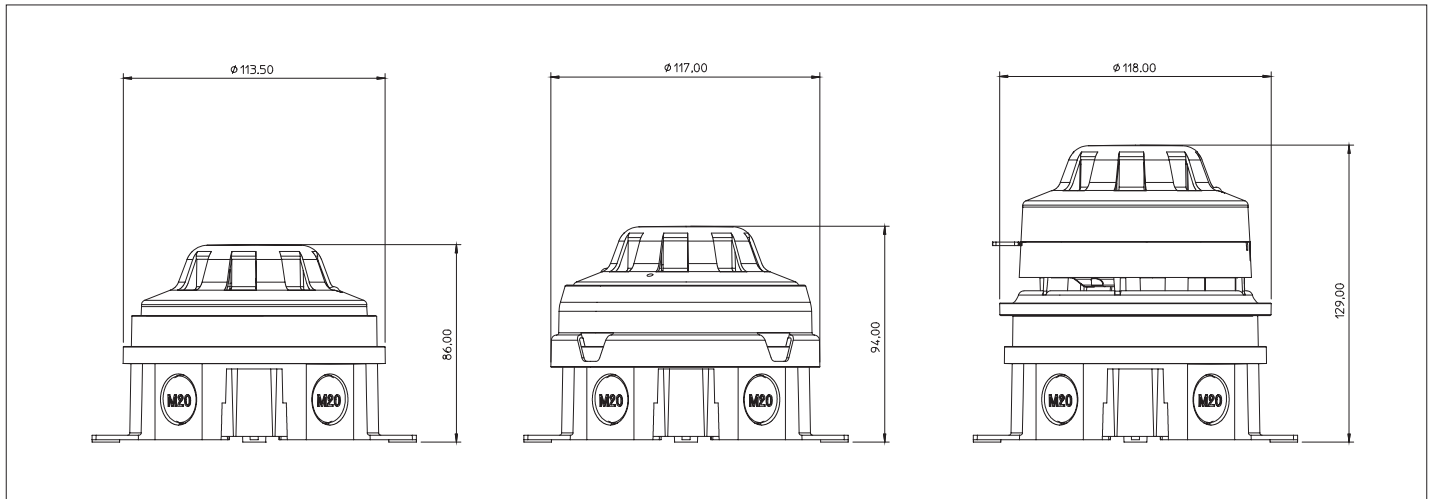


Figure 2: Dimensions

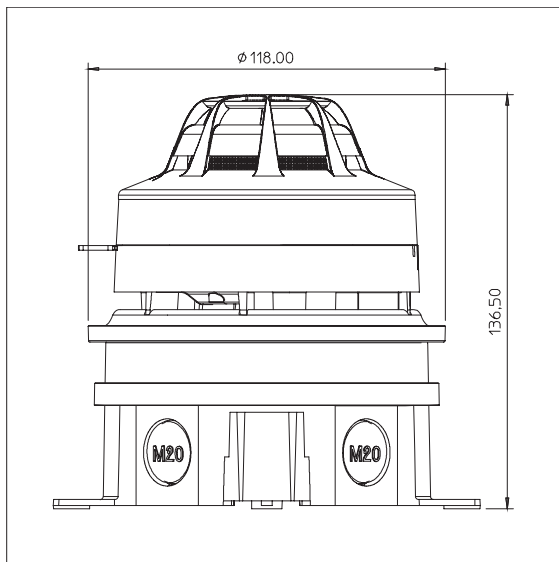


Figure 3: Dimensions if using a Discovery Multisensor detector